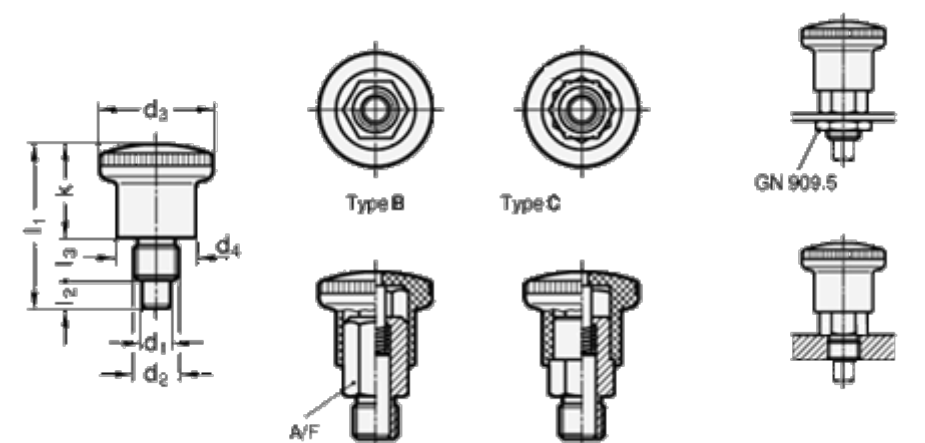


Article number: 20822710M1615B

Description: E+G Mini indexing plunger
without rest position, GN 822.6-10-M16x1,5-B

Measures



d1 = 10
d2 = M16x1,5
d3 = 33
d4 = 23
k = 25.5
l1 = 47.5
l2 = 10
l3 = 12

Spring load initial N = 11